

Atlas Copco



# The Utility range

What do you integrate?

# The Utility range

The dictionary defines the word utility as the state of being useful, profitable or beneficial – the Utility range combines all three benefits inside a lightweight, compact package. Its small footprint and single side service make it perfect to integrate on a utility truck. A high efficient source of compressed air, no matter where you are.

The Utility range offers models with our revolutionary PACE system. PACE enables you to control the pressure to regulate the flow – giving you even more versatility to handle the several applications with just one compressor. Several models also offer integrated generators.

The single side service allows for easy servicing, which can be completed within the hour. All models come with a corrosion free C3 rated canopy, to guarantee higher lifetime of the machine.



## Small Footprint



A footprint at least 10% more compact than any comparable model. Easy to transport. Stackable up to 3 levels.

## Service



Simplicity, speed and long service intervals. Service takes less than 60 minutes and no special tools are required. Easy access thanks to single side service.

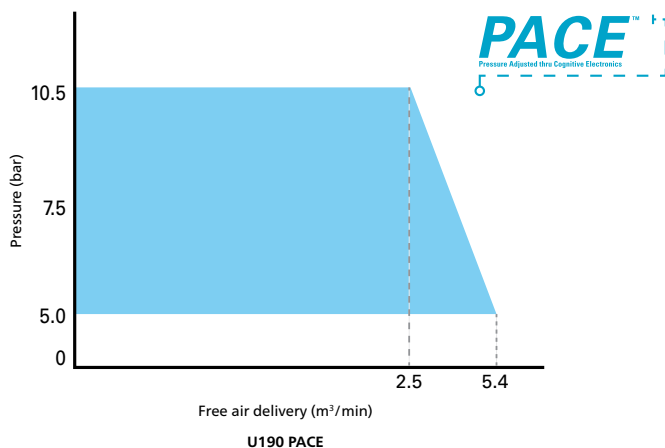
## Built better



More features as standard. Breaking new ground when it comes to efficiency. Made for Ambient temperature from -20 to 50 °C /C3 certified canopy to protect your compressor from corrosion.

## Introducing PACE technology

PACE technology redefines the relationship between pressure and flow. A compressor with PACE technology can cover the application needs of, on average, three fixed pressure compressors.



### What PACE is:

- An electronic regulation system programmed via a digital controller.
- A system that offers the widest operating pressure range within a single compressor. Allowing multiple pressure and flow combinations.
- A simple to use system with guaranteed accuracy and ensuring safety. Guaranteeing the longterm performance of the compressor.
- A system that gives you the versatility of three machines in one package.

### Applications include:



5 bar: Road line painting



7 bar: Handheld tools



8.6 to 10 bar:  
Abrasive blasting



7 to 12 bar:  
Shotcrete applications

### Intuitive user operation:

- Toggle between the presets in a simple click.
- Custom pressure can be set in 3 simple clicks.
- Pressure can be adjusted in increments of 0.1 bar.



### What PACE is NOT:

- A linear system where adjusting the pressure dictates the flow.
- A regulation valve where you use guess work to manually adjust the settings.



## Technical data

### U75-U110 (PACE)

### U130-U190 (PACE)

### U190-12-U250 (PACE)

Performance		U 75	U 110	U110 PACE	U 130	U 175	U 190	U 190 PACE	U190-12	U250	U250 PACE
Normal effective working pressure	bar (g)	7	7	5-10.5	7	7	7	5-10.5	12	7	5 - 10.5
	psi (g)	100	100	70-150	100	100	100	70 - 150	175	100	70 - 150
Free air delivery	cfm	75	100	65-100	130	175	190	90-190	190	250	200-250
	m <sup>3</sup> /min	2.1	2.8	1.8-2.8	3.7	5	5.4	5.4 - 2.5	5.5	7.1	5.7 - 7.1
Max. ambient temperature at sea level	°C	50	50	50	50	50	50	50	50	50	50
Min. starting temperature / cold start kit	°C	-10/-20	-10/-20	-10/-20	-10/-20	-10/-20	-10/-20	-10/-20	-10/-20	-10/-20	-10/-20

Engine											
Model		Kubota D722	Kubota D902	Kubota D902	Kubota V 1505	Kubota V 1505T	Kubota V 1505T	Kubota V 1505T	Kubota V2403T	Kubota V2403T	Kubota V2403T
Number of cylinders		3	3	3	4	4	4	4	4	4	4
Power output @ normal shaft speed	kW	14.9	18.5	18.5	26.5	32.5	32.5	32.5	47.9	47.9	47.9
Full load RPM	rpm	3400	3600	3600	3000	3000	3000	3000	2700	2700	2700
Unload RPM	rpm	1800	2000	2000	1600	1600	1600	1600	1600	1600	1600

Capacity											
Engine oil	l	3	3	3	5.5	5.5	5.5	5.5	9.5	9.5	9.5
Compressor oil	l	5	5	5	9	9	9	9	11	11	11
Fuel tank	l	30	30	30	62	62	62	62	100	100	100
Cooling system	l	5	5	5	8.5	8.5	8.5	8.5	11.5	11.5	11.5
Optional extended fuel tank	l	N/A	N/A	N/A	24	24	24	24	30	30	30

Dimensions											
Length	mm	1580	1580	1580	1870	1870	1870	1870	2050	2050	2050
Width	mm	740	740	740	950	950	950	950	1200	1200	1200
Height	mm	850	850	850	1040	1040	1040	1040	1230	1230	1230
Weight (inc. fuel)	kg	488	488	498	704	704	704	720	1200	1200	1200



## As standard

- Best in class fuel efficiency.
- A footprint at least 10% smaller than comparable models.
- Starter motor protection system.
- High-humidity C3 corrosion protection coating.
- 1500 hours/two years service interval.
- Integrated lifting slots and top-hook.
- Long fuel autonomy to run a full shift.
- Heavy duty fuel filters as standard
- Spillage free frame with forklift slots and centralized drain points.
- Single side service with Spin-on oil separator element.
- Robust canopy for three layer stacking.



## Optional extras

- PACE system (Pressure Adjustment thru Cognitive Electronics): You control the pressure and the machine regulates the flow.
- Generator option: Turn your compressor into a multi-function machine for both air and power. (6 kVA semi-simultaneous and a 15 kVA non-simultaneous).
- Integrated aftercooler/water separator/fine filter (PD) to guarantee better air quality.
- Plus many more. Including customized colours, refinery equipment, hose reel and additional fuel tank.



# Power Technique Solutions Portfolio

Atlas Copco's Power Technique Business Area has a forward-thinking philosophy. For us, creating customer value is all about anticipating and exceeding your future needs – while never compromising our environmental principles. Looking ahead and staying ahead is the only way we can ensure we are your long term partner.

## Air compressors

### Ready to go



- 1-5 m<sup>3</sup>/min
- 7-12 bar

### Versatility



- 5.5-22 m<sup>3</sup>/min
  - 7-20 bar
- \*Diesel and electric options available

### Productivity partner



- 19-116 m<sup>3</sup>/min
- 10-345 bar

## Handheld tools

### Pneumatic tools



- Breakers (2.5 – 40 kg)
- Rockdrills (5 – 25 kg)
- Underground Rockdrills
- Additional Air Tools

### Hydraulic tools



- Breakers (11 – 40 kg)
- Additional Hydraulic Tools
- Powerpacks

### Petrol engine driven tools



- Breakers & Tie Tampers (25 kg)
- Combi Drills (23 Kg)

### Generators



- Portable
- Mobile
- Industrial

\*Multiple configurations available to produce power for any size application

### Light towers



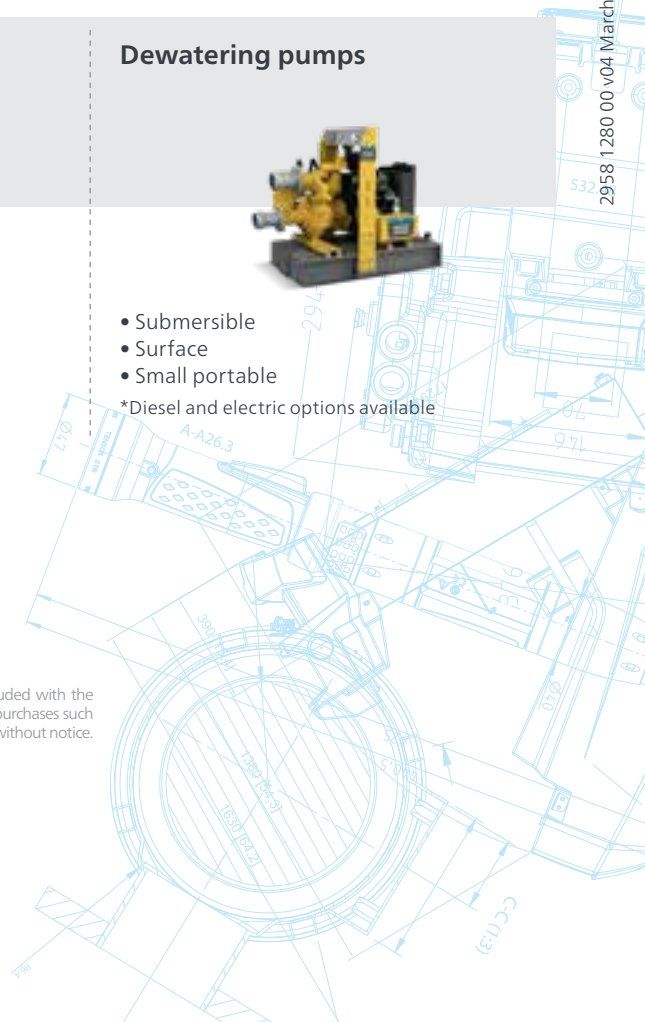
- Diesel LED and MH
- Electric LED
- Battery LED

### Dewatering pumps



- Submersible
- Surface
- Small portable

\*Diesel and electric options available



Photos and illustrations contained herein might depict products with optional and/or extra components which are not included with the standard version of the product and, therefore, are not included in a purchase of such product unless the customer specifically purchases such optional/extra components. We reserve the right to change the specifications and design of products described in this literature without notice. Not all products are available in all markets.